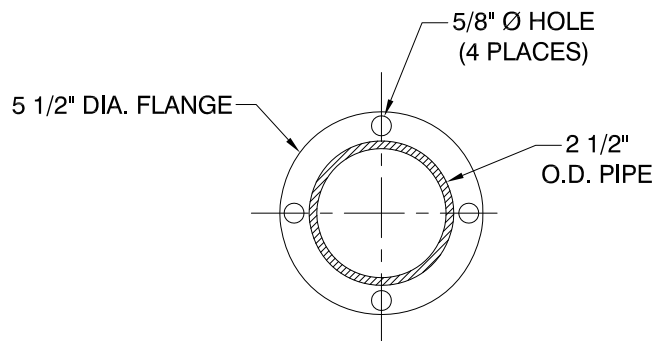


METAL POLE
(WITH BASEMENT REQUIREMENTS)



SECTION A-A
1/4" THICK FLANGE,
USE 3/8" DIA. x 3" LENGTH ANCHOR
BOLTS, HILTI KWIK OR EQUAL.

NOT TO SCALE



CITY OF OAKLAND

DEPARTMENT OF TRANSPORTATION | SAFE STREETS DIVISION
BICYCLE & PEDESTRIAN PROGRAM
250 FRANK H. OGAWA PLAZA, SUITE 4344 * OAKLAND CA, 94612
(510) 238-3466 * FAX (510) 238-7415

**ROUND POLE SIGN
INSTALLATION DETAILS**

SIGNAGE DETAILS

SCALE: NTS

DWG. NO.

DATE: MAR 2021

SD-2