

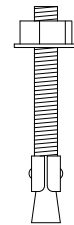
TOOLS & MATERIALS REQUIRED

- Inverted U or circle rack (single-loop, surface mount flange)
- Zinc plated wedge anchors, 1/2" x 3 3/4"
- Zinc concrete spike anchors, 1/2" x 2 3/4"
- Rotor hammer drill (1/2" chuck capacity, contractor grade suggested)
- 1/2" masonry drill bit
- Small sledgehammer
- 3/4" socket wrench or wrench driver
- Vacuum or compressed air
- Loctite 262 Mil Spec High Strength Red Threadlocker (or approved equal)

SPIKE ANCHOR



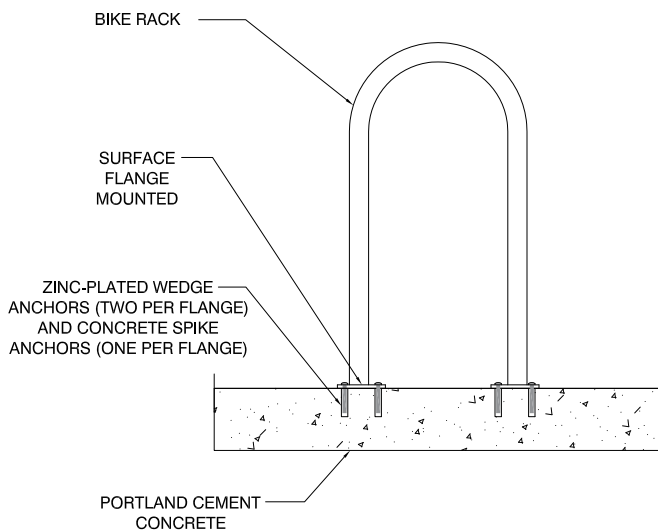
WEDGE ANCHOR



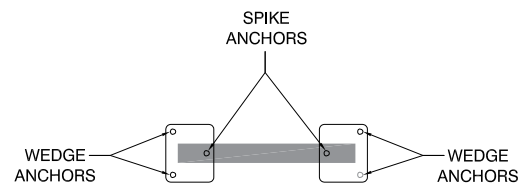
INSTALLATION INSTRUCTIONS

1. Place rack in location marked with white dots; read installation notes for particular location.
2. With rotor hammer drill outfitted with 1/2" drill bit, mark hardware location through all mounting holes.
3. Move rack away. Drill all holes at least 3 1/2" deep. Remove dust in holes.
4. Pound the wedge anchor fasteners in the outer corner holes. The fasteners should protrude 7/8" above the concrete.
5. Place the rack over the fasteners. Put the washers and nuts on them. Apply threadlocker to the exposed threads. Cinch tight with appropriate 3/4" wrench.
6. Pound the concrete spike anchors into the remaining inner holes of the rack.
7. Before the threadlocker sets (no more than 10 minutes) tighten the wedge anchors one last time after pounding in the concrete spike anchors.
8. Cut off any length of the wedge anchor protruding more than 1/2" above the nut. If the remaining edge is sharp, file off sharp edges, or apply a dollop of epoxy to the top of the nut.
9. Adhere funder stickers to the top of the rack (unless otherwise specified).

INSTALLATION DIAGRAM



HARDWARE PLACEMENT



CITY OF OAKLAND

DEPARTMENT OF TRANSPORTATION
 BICYCLE & PEDESTRIAN PROGRAM
 250 FRANK H. OGAWA PLAZA, SUITE 4344 * OAKLAND CA, 94612
 (510) 238-3466 * FAX (510) 238-7415

**INSTALLATION INSTRUCTIONS:
 CONCRETE SURFACES
 SHEET 5 OF 6**

**BICYCLE RACK
 GUIDELINES**

SCALE: NOT TO SCALE

DWG. NO.

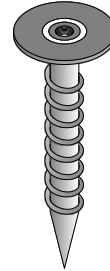
DATE: JAN 2021

BR-5

TOOLS & MATERIALS REQUIRED

- Inverted U or circle rack (single-loop, surface mount flange)
- Exterior use anchoring cement (EPX2, Quickrete, or equal)
- Water
- 3/8" SP10 asphalt anchors, one per hole, with bolts and washers
- 3/8" x 2" Security bolts, two per rack
- Security bolt socket & socket wrench
- Masonry drill bit, 6" x 7/8"
- Rotor hammer drill (7/8" chuck capacity contractor grade suggested)
- Vacuum or compressed air
- Loctite 262 Mil Spec High Strength Red Threadlocker (or approved equal)

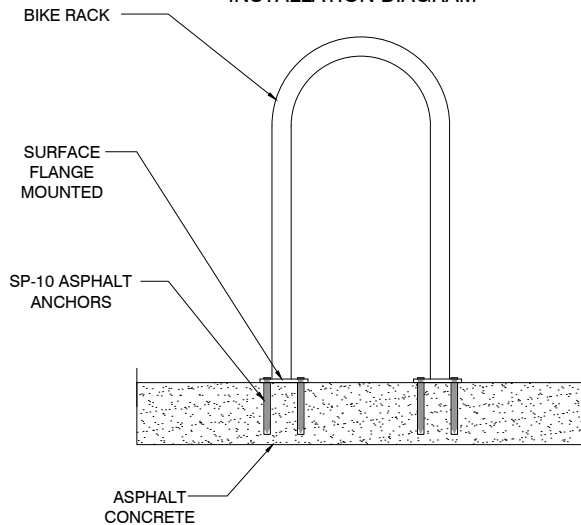
SP-10
ASPHALT
ANCHOR



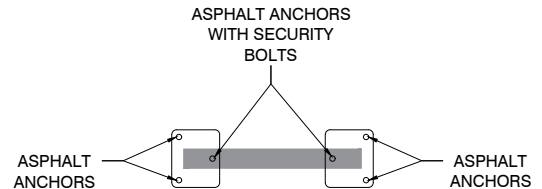
INSTALLATION INSTRUCTIONS

1. Place rack in location marked with white dots; read installation notes for particular location.
2. With rotor hammer drill outfitted with 7/8" drill bit, mark hardware location through all mounting holes.
3. Move rack away. Drill all holes 6" deep, perpendicular to ground surface. Remove dust in holes.
4. Protect the anchors' thread using the supplied bolt and washer. Hand tighten.
5. Mix the anchoring cement with water per the manufacturer's instructions. The grout should flow so that it can fill in the crevices in the ground around the anchor, but not be too liquid else it will be soaked into the ground.
6. Apply the anchoring cement to the hole, filling it to the top. Allow the anchoring cement to flow; refill if necessary.
7. Using a hammer, gently drive the anchor into the ground until the bottom of its washer is flush with the ground.
8. As you lower the anchor, make sure that the anchoring cement is visible all the way to the top. Add cement if required.
9. Once the anchor is in place, wash the surface of the roadway to remove the excess anchoring cement. (Once the cement hardens, it will be practically impossible to remove the excess.)
10. Allow the anchoring cement to harden for about 20 minutes.
11. Mount the rack and secure with washer and bolt to the anchor. Do not exceed the torque allowed for bolt tightening, 200 lbs per inch, per manufacturer's recommendations.
12. Replace two of the supplied bolts with security bolts as shown below.
13. Apply threadlocker to all bolts prior to final tightening.
14. **DO NOT SUBJECT THE INSTALLATION TO FULL LOAD FOR 2 HOURS**, to allow anchoring cement to cure.
15. Adhere funder stickers to the top of the rack (unless otherwise specified).

INSTALLATION DIAGRAM



HARDWARE PLACEMENT



CITY OF OAKLAND

DEPARTMENT OF TRANSPORTATION
BICYCLE & PEDESTRIAN PROGRAM
250 FRANK H. OGAWA PLAZA, SUITE 4344 * OAKLAND CA, 94612
(510) 238-3466 * FAX (510) 238-7415

**INSTALLATION INSTRUCTIONS:
ASPHALT SURFACES
SHEET 6 OF 6**

**BICYCLE RACK
GUIDELINES**

SCALE: NOT TO
SCALE

DWG. NO.

BR-6

DATE: JAN 2021