



DEPARTMENT OF PLANNING AND BUILDING

250 FRANK H. OGAWA PLAZA, SECOND FLOOR, OAKLAND CA. 94612

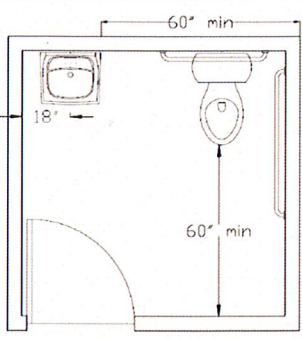
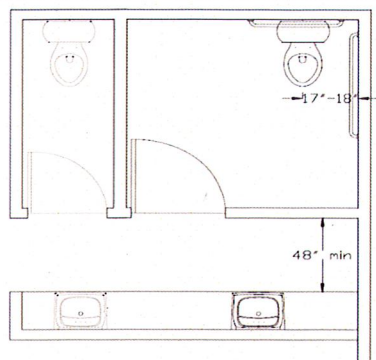
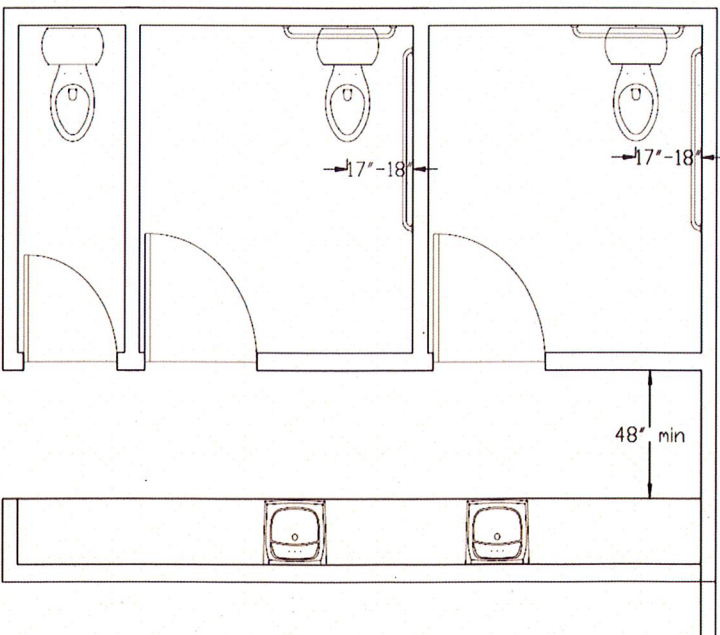

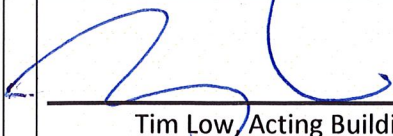
GENDER NEUTRAL FACILITIES

BUILDING SERVICES DIRECTIVE

B19-002

APPLICABILITY: Alternate compliance method to requirements of CPC table 422.2, when facilities are constructed as a compartment cluster of single user toilet facilities. Urinal is required for occupant loads of 50 or more.

DATE: April 25, 2019

SINGLE USE FACILITY	FAMILY OR ASSISTED FACILITY
<p>Maximum Occupant Load 10 or less CPC (422.2 (2))</p> 	<p>Maximum Occupant Load 25 or less CPC (422.2.1)</p> 
<p>SINGLE USE COMPARTMENTS WITHOUT A URINAL</p>	<p>COMPARTMENT REQUIRED SIGN</p>
<p>Occupant Load 49 or less CPC (422.2 (3))</p> 	 <p>SPECIFIC REQUIREMENTS:</p> <ul style="list-style-type: none">- Solid walls (no partitions)- Solid door with lock and closer- Light and Occupancy Sensors- Mechanical Ventillation- Dual Flush toilets-Minimum 5 % accessible <p>NOTES:</p> <ul style="list-style-type: none">-Drawings are not to scale-Drawings are not intended to limit design. <p> Tim Low, Acting Building Official</p>